



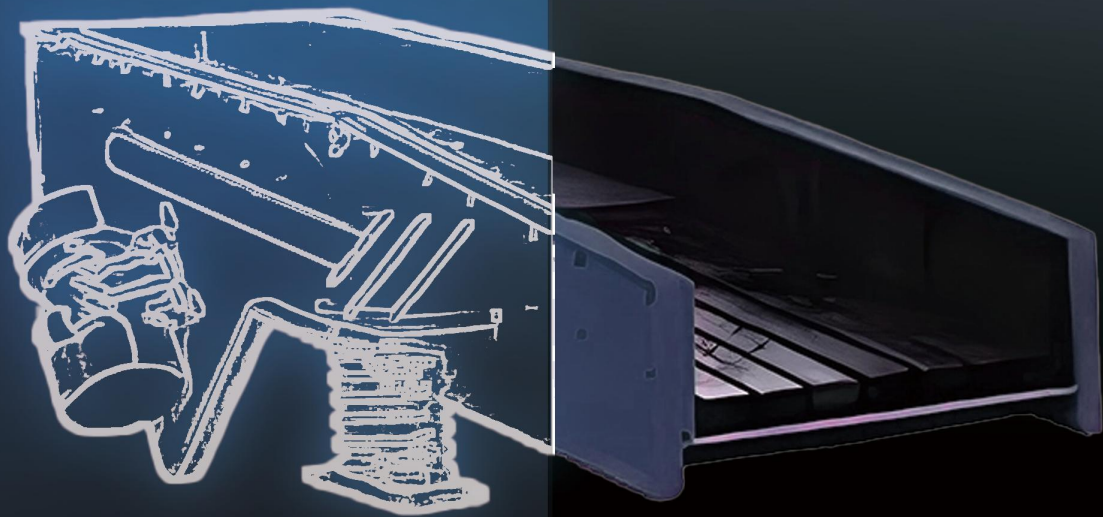
DING BO

# GZD Vibrating Feeder

---

Capacity:30-600t/h  
Max. Input Size: 1000mm

---



Craftsmanship  
Shape the reputation of trust



# Features

1. This series of product have a great variety and can be customized for specific requirements.
2. All types of feeder can control the feeding material quantity automatically or by hand.
3. Smooth vibration, reliable work and longer service life.
4. Be able to adjust vibrating force, change and control the flow at any time with convenient and stable adjustment.
5. Use the vibrating motor to produce vibration force, low noise, low power consumption, excellent adjusting performance and no phenomenon of rushing materials.
6. Simple structure, reliable operation and convenient adjustment and installation.
7. Light in weight, small volume and convenient maintenance. Using the body of closed structure can prevent dust contamination.



### **Application**

Metallurgical, coal, mineral processing, building materials, chemical engineering, grinding, etc.

### **Material**

River stone, gravel, granite, basalt, minerals, quartz, diabase, etc.

GZT Series Vibrating Feeder adopts the vibrating motor to produce vibration force . It is used to feed material into the primary crusher homogeneously, meanwhile because of the bar-shaped screen, it can screen away soil contained in the raw material, increase the capacity of the primary crushing. It is suitable for feeding material into the primary crusher in hydropower field, building material and mining.







# Technical Parameters

| Model         | Feeding Chute Size (mm) | Max. Feeding Size (mm) | Capacity (t/h) | Motor Power (kw) | Weight (kg) | Overall Dimension (mm) |
|---------------|-------------------------|------------------------|----------------|------------------|-------------|------------------------|
| GZD-750×2500  | 750×2500                | 300                    | 50-80          | 3                | 1590        | 2580×1100×1400         |
| GZD-850×3000  | 850×3000                | 400                    | 80-120         | 2X2.2            | 3895        | 3110×1800×1600         |
| GZD-960×3800  | 960×3800                | 500                    | 120-210        | 11               | 3980        | 3850×1950×1630         |
| GZD-1100×4200 | 1100×4200               | 580                    | 200-430        | 15               | 4170        | 4400×2050×1660         |
| GZD-1100×4900 | 1100×4900               | 580                    | 280-500        | 15               | 4520        | 5200×2050×1700         |
| GZD-1300×4900 | 1300×4900               | 650                    | 450-600        | 22               | 5200        | 5200×2350×1750         |
| GZD-1500×6000 | 1500×6000               | 800                    | 500-700        | 30               | 8670        | 6082×2995×2095         |

**Notice:** Any change of technical data shall not be advised additionally.





# WORKING PRINCIPLE

GZT Series Grizzly Vibrating Feeders adopt two vibrating motor with the same capabilities to produce the vibrating force. When both of them make the motion of reverse rotation in the same angular velocity, the inertial force produced by eccentric block is offset and summed up. Thus the great exciting force compels the frame vibrating in the spring support, which drives the materials slide or tossed forward on the frame and achieves the aims of feeding. When the materials cross the grizzly fences, the small-sized materials are fallen through and achieve the effectiveness of sifting.



DING BO

Whatsapp:+8613817259661

E-mail:sales@dingbocrusher.net

Official website:<https://www.shdingbo.com>

Address:No.365, Chuanhong Road, Pudong New Area, Shanghai, China

